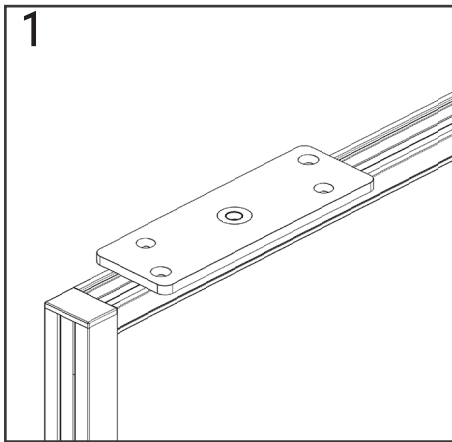


INSTALL GUIDE

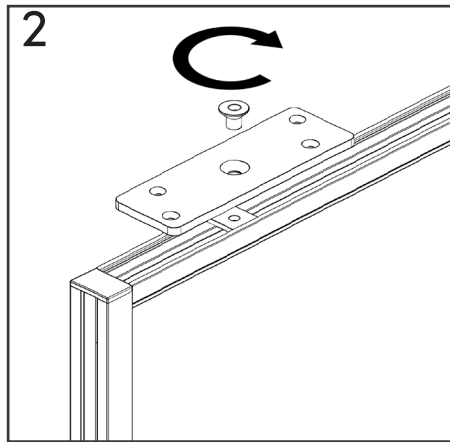


Sliding bench bracket

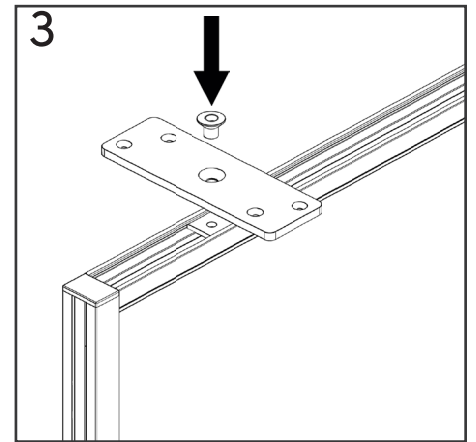
Compatible with: Border, Origin+, F30



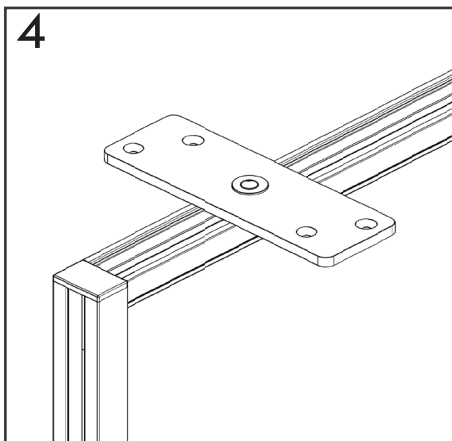
1
Locate the Sliding Bench Brackets by turning the screen upside down.



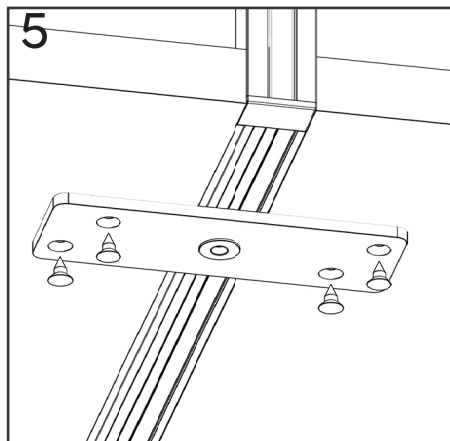
2
Loosen the bolt securing the bracket using an allen key. Then rotate the bracket 90° so it is in the correct position.



3
Secure the bracket once more by bolting the CSK bolt through the bracket into the sliding plate in the bottom of the rail (Note: Align the sliding plate hole with the central hole on the bracket).



4
Repeat this for the other bracket located on the other side of the screen.



5
To fix the bracket to the desk, turn the screen over and screw the bracket into the underside of the desk using the screws provided.

FITTING NOTE: PLEASE ENSURE FIXINGS ARE NOT OVERTIGHTENED. USE ALLEN KEY OR EQUIVALENT AND TIGHTEN BY HAND. **DO NOT** USE A POWER DRILL AS THIS CAN DAMAGE THE BRACKET.