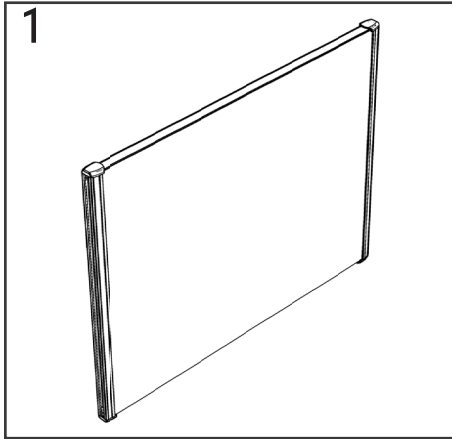


INSTALL GUIDE

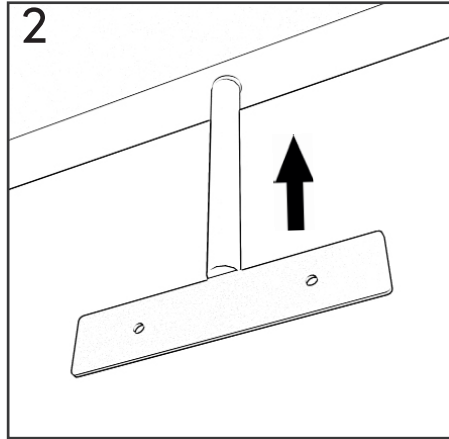


Slim spigot bracket

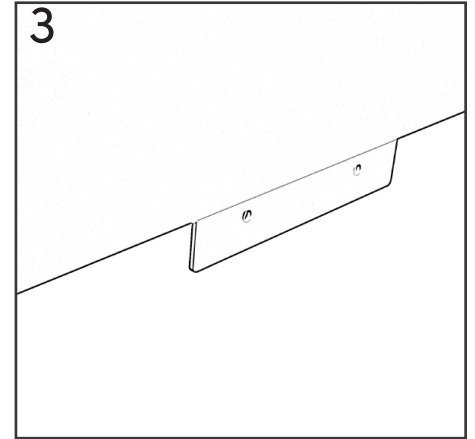
Compatible with: 1 Series, 2 Series, Dolly, Minoro



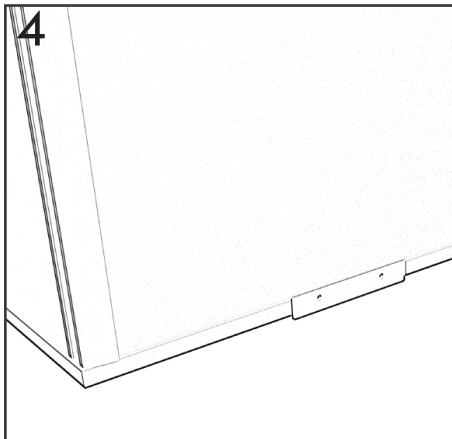
1
Turn the screen upside down prior to fixing the slim bracket.



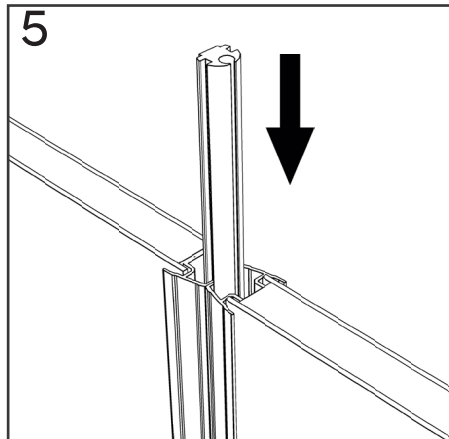
2
Slide the spigot bracket into the pre-drilled bracket hole in the bottom of the screen.



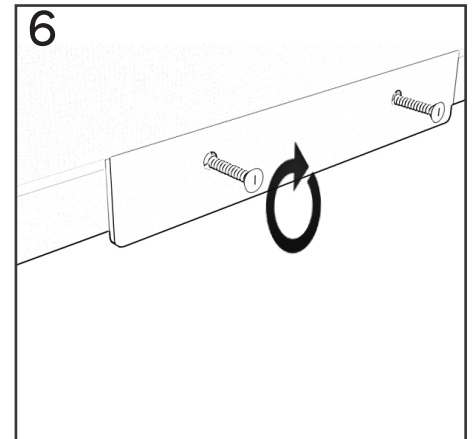
3
Push the spigot the whole of the way in, so the plate is flush with the bottom of the screen.



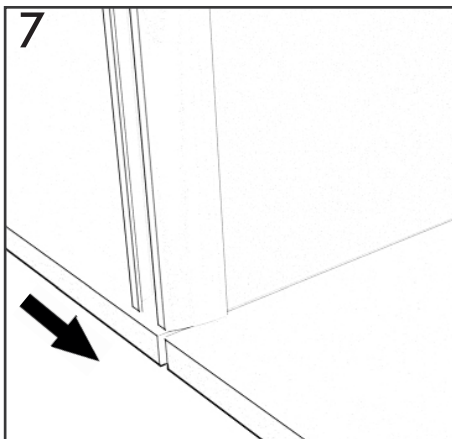
4
Position the screen on the desk so the bracket is flush to the desk edge.



5
If you wish to link a second screen, repeat steps 1-4 and link them before screwing them in place.



6
Secure the screens to the desk by screwing the bracket into the desk edge.



7
A second desk can then be pushed up against the screen.