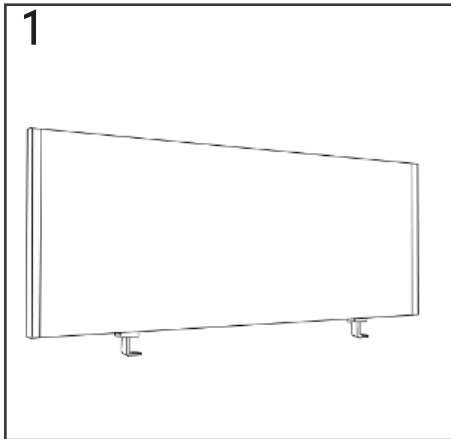


INSTALL GUIDE

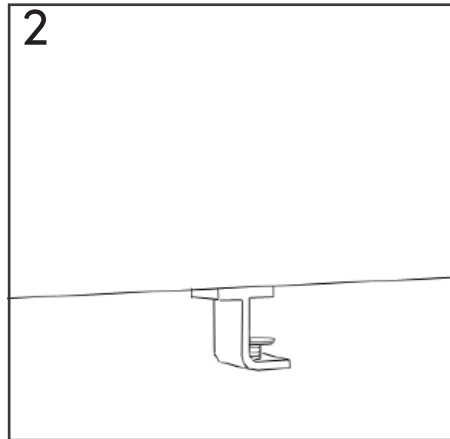


Spigot brackets

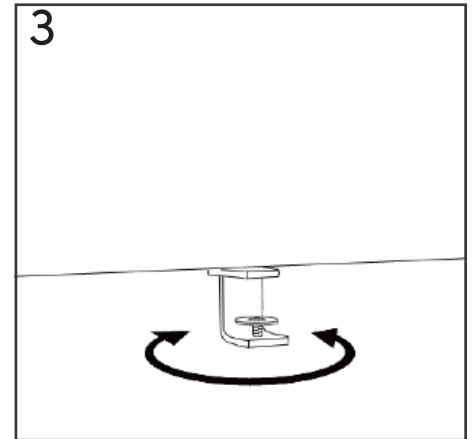
Compatible with: Dolly, Minoro, Pinch, 1 Series, 2 Series



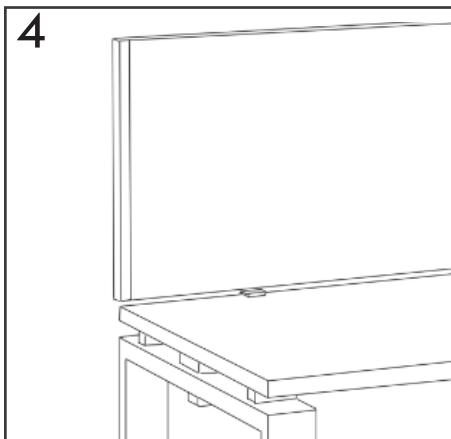
Carefully unwrap screen.



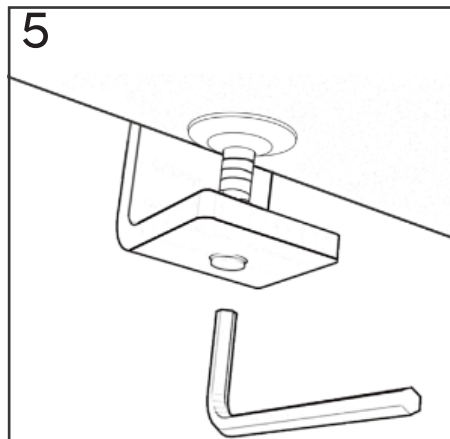
Brackets will be attached to screen.



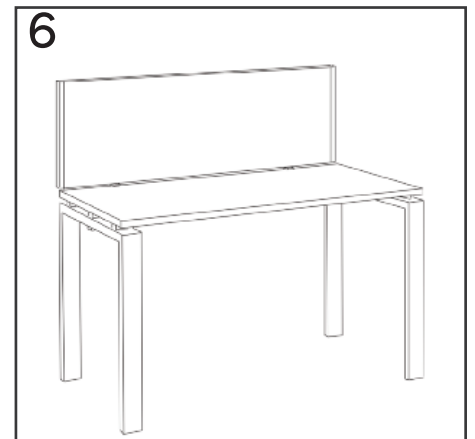
To align brackets correctly, gently twist brackets 90° until they are positioned as above.



Position screen onto desk.



From the under side of the desk top, tighten pressure pad with an allen key or equivalent



Install complete.

FITTING NOTE: PLEASE ENSURE FIXING PRESSURE PADS ARE NOT OVERTIGHTENED. USE ALLEN KEY OR EQUIVALENT AND TIGHTEN BY HAND. **DO NOT** USE A POWER DRILL AS THIS CAN DAMAGE THE BRACKET.